

1. Product dimension:

LED Tunnel light/Flood light(Switchable with LED Canopy light) (50W Module)

OB-PBFL-50W-40D-IP65-P1



OB-PBFL-100W-40D-IP65-P2



OB-PBFL-150W-40D-IP65-P3



OB-PBFL-200W-40D-IP65-P4



OB-PBFL-300W-40D-IP65-P6

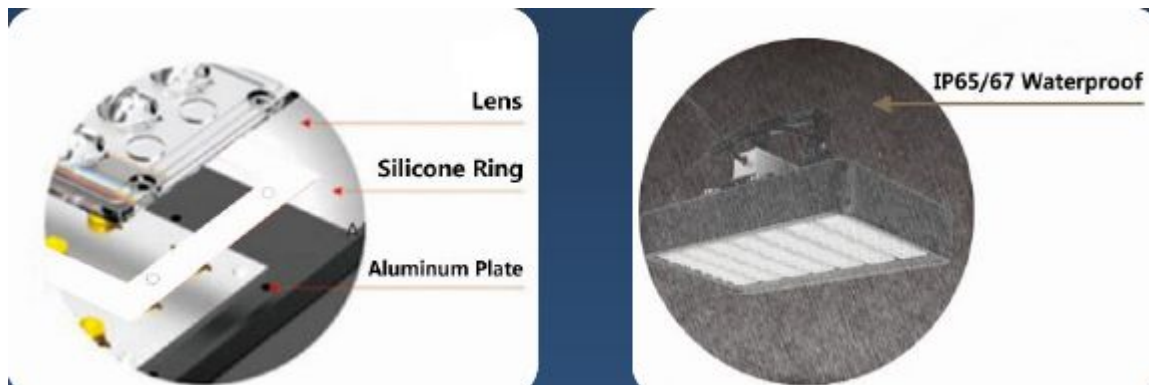
OB-PBFL-400W-40D-IP65-P8



Reliable and efficient power supply

Equipped with Meanwell HLG Series constant current and constant voltage driver, each luminaire is ensured with the best reliability and ultra long life span.

With the super cool technology, it has optimal heat conducting and heat dissipation performance. It is achieved by using high thermal conductivity graphite flake as heat-conducting fin to integrate and LED light source, PCB board and radiator closely. Taking the advantages of modular design, the heat dissipate faster with air flows through the fixture between the gaps of each modules. The life span of the entire luminaire guaranteed.



2. Key features

Simplistic and charming design, less is more;

Recessed design, specialized for gas station;

Customize size of outer fixture;

Taking advantages of PHILIP Series LED chip and Meanwell HLG Series Driver;

Luminous efficacy up to 130lm/W, lifespan up to 50,000+hours;

20% lighter and 10% smaller than the last generation.

Brings amazing recessed lighting solution for indoor areas. And its installation super easy.

Achieved by latest PHILIP chip:

The PHILIP are illumination grade LEDs designed to deliver high efficacy with high flux density to enable tight beam control in directional and high lumen applications. With Freedom from Binning and leading performance, PHILIP allow system optimization by blending the perfect combination of high efficacy and low system cost. With tight Correlated Color Temperature (CCT) control, PHILIP ensures consistency in system color point.

Power Supplied by MeanWell Driver:

World's leading MeanWell power supply keeps the stability, life & performance of the luminaire in optimal status

The LED lens of each module of the light is perfectly sealed by high temperature and aging resistant silicone rubber. Moreover, the high precision waterproofed connectors ensured the superior waterproof ability of the fixture, the main body of light is IP67.

3. Specification

Operating Voltage: 90-305VAC or 12/24VDC 50~60Hz(The operating voltage of TUV-GS version is 100-240VAC,50-60Hz;

CRI stands for Color Rendering Index;

The beam angle is to be customized,please contact our sales representative for details.

Operating Temperature: -40°C ~ 50°C

Operating Humidity: 10%~90%

Power Factor (PF): > 0.95

Power Supply Efficiency: > 90%

Color Rendering Index (CRI): Ra >70 (>80 optional)

Color Temperature: 3,000-3,500K, 4,000-4,500K,5,000K,5700K,6500K

Photometric Specifications:

IP Rating: IP 65 & IP 67

Warranty: 5 years warranty

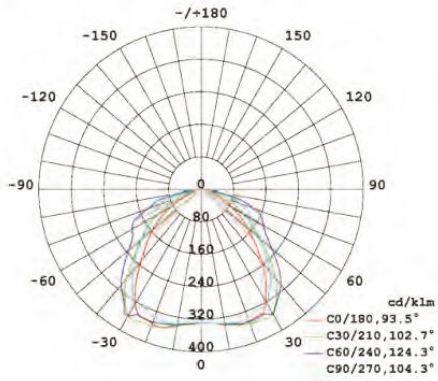
Heat Radiator: Anodized aluminum

Face: Anti-static Coating

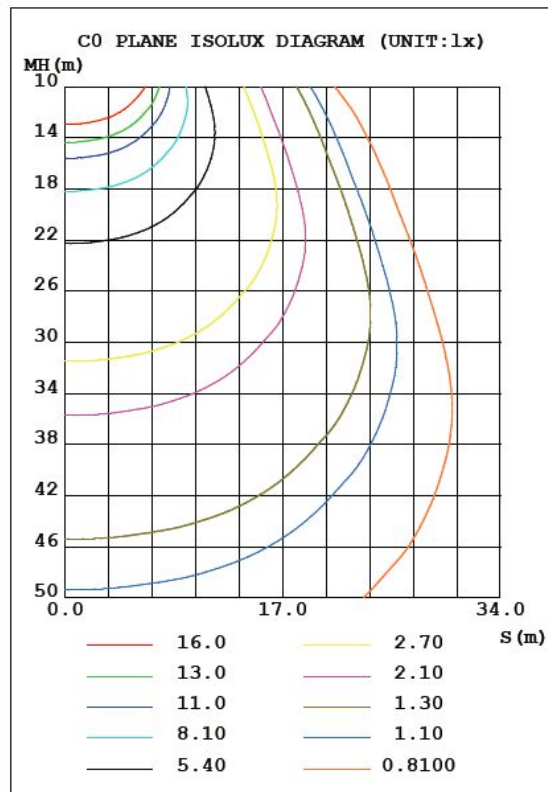
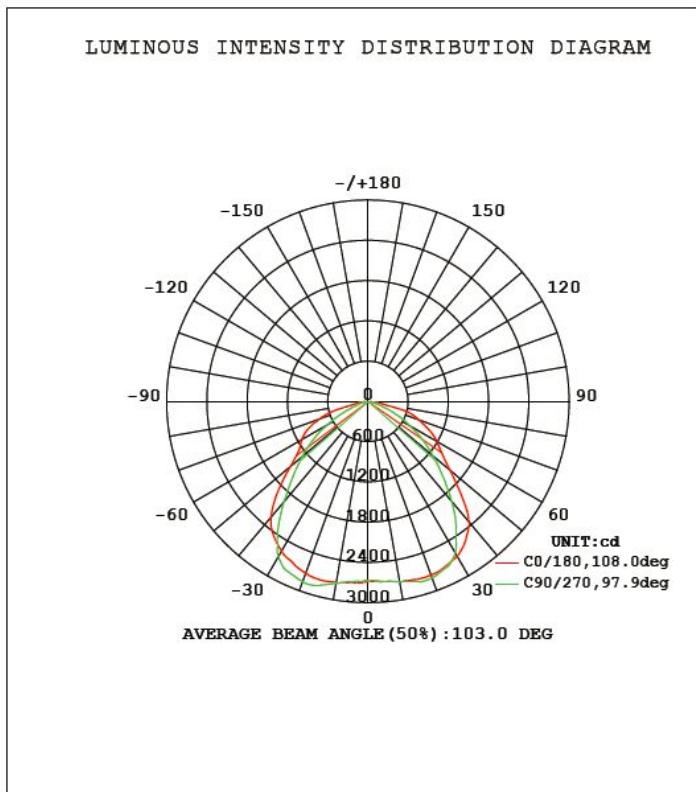
4. Technical information

Model No.	Power	Beam Angle	Luminous Flux	Fixture Dimension	Carton Dimension	Packing:
Surface mount type						
OB-PBFL-50W-40D-IP65-P1		53*135 ° /60*60 ° /85*85 °	5000-5500lm (Ta=25 °C);	315*193*130		
OB-PBFL-100W-40D-IP65-P2		53*135 ° /60*60 ° /85*85 °	10000-11000lm(Ta=25 °C);	315*238*130		
OB-PBFL-150W-40D-IP65-P3		53*135 ° /60*60 ° /85*85 °	15,000-16,000lm (Ta=25 °C);	315*283*130		
OB-PBFL-200W-40D-IP65-P4		53*135 ° /60*60 ° /85*85 °	20,000-21,200lm (Ta=25 °C);	315*360*130		
OB-PBFL-250W-40D-IP65-P5		53*135 ° /60*60 ° /85*85 °	25,000-26,000lm (Ta=25 °C);			
OB-PBFL-300W-40D-IP65-P6		53*135 ° /60*60 ° /85*85 °	30,000-31,000lm (Ta=25 °C);			

ISO-Illuminance Curve



90W Recessed



5. Application information

Warehouse, Gas Station, Office, Shop,

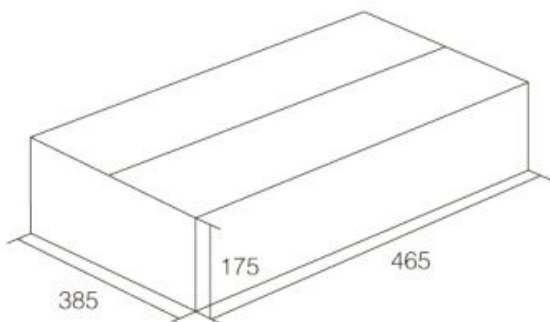


6. Package & Certification



80W/120W Packing information:

Packing Dimension (mm)



Packing Type: 1pc/Carton

Packing Dimension: 465*385*175mm

Packing Weight: 8.15KG