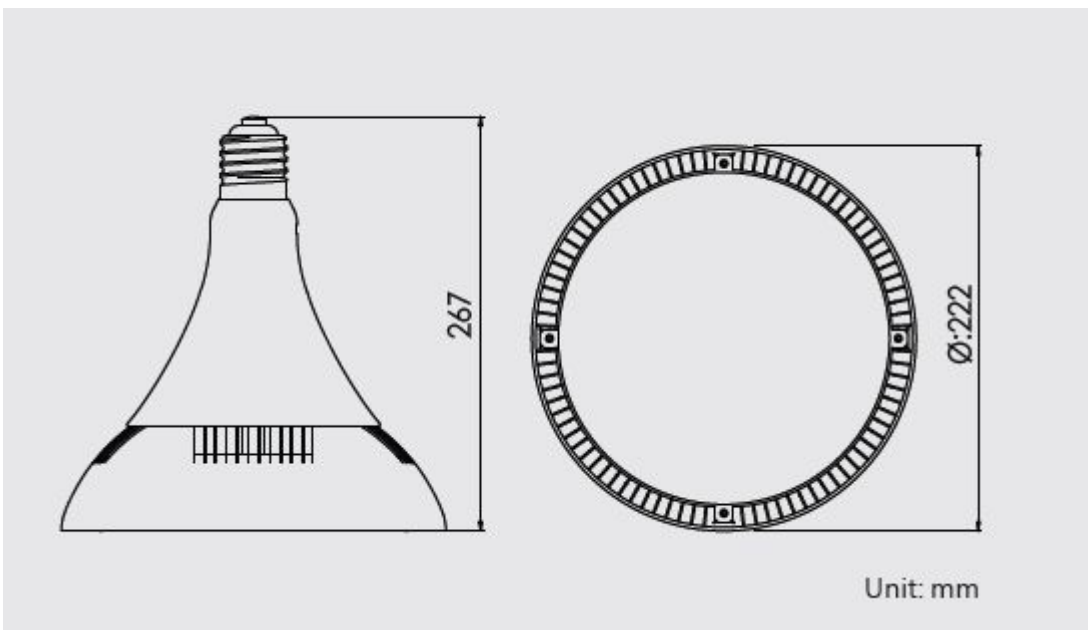


## OB-HB-60W(Size:222,267mm)



## Specification

---

### Key feature:

---

High efficiency,Low decline and Long lifespan;

Simple in design,small in size,light in weight;

Easy to install and convenient to carry;

Magnesium Alloy has good heat dissipation.

---

### Specification:

---

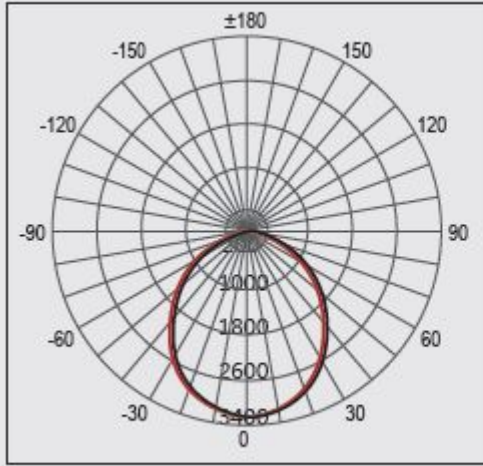
category:	OB-HB-60W(Size: 222, 267mm)
Base	E40/E39
Power	60W
Voltage	AC 100-135V,200-240V,277V
Replacement	200-250W
Chip Brand	Original LG
Power Factor	$\geq 0.75$
Color Temp	3000K~7000K
LED Lifetime	$\geq 40,000$ h
Luminous Flux	6000 lm $\pm 5\%$
Efficiency	100lm/W
CRI	$\geq 82$ Ra
Beam Angle	135°
Frequency	50-60Hz
Weight	1.4 kg
Operate Temp	-20°C~40°C
Driver	inside
Certificates	UL,cUL,CE,PSE,RoHS

---

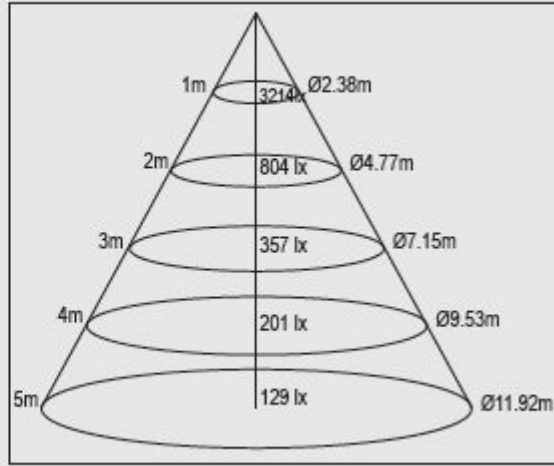
### Technical information:

---

## Specification



Candela Curves



Illuminance Cone of Light

### Ordering Guide:

Model Name	Box Size	Carton Size	Qty
OB-HB-60W(Size:222,267mm)	250*250*320	520*520*670mm	8