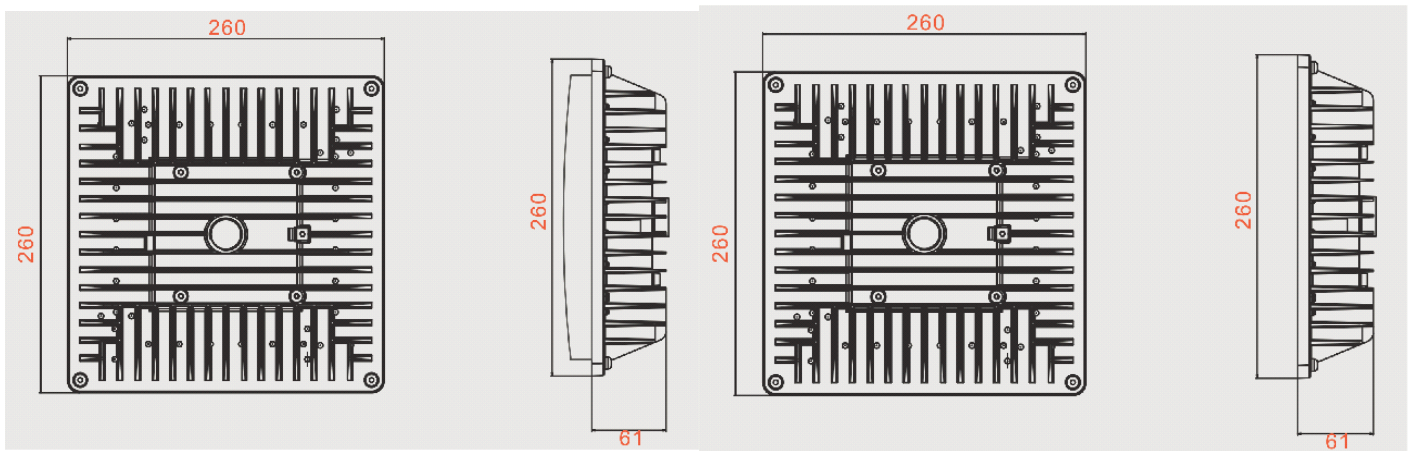


ARCHITECTURAL DESIGN LED CANOPY LIGHTING



Features:

OB-CNP-CREE-35W is an performance design led canopy fixture. It is designed fo replace a Metal Halide 100W. Perfect for hard to service locations. Rugged diecast design insures LEDS operate at optimum temperature for long life.

Specification:

Die cast housing
Architectural bronze UV resistant
outdoor powder pant
UL listed / CUL listed
Input voltage: 120~277V AC
Quality long life CREE XPE LEDs

Specification

- Low Tj for long life, low lumen depreciation
- Input power — approx. 35 Watts
- Lumens per LED — approx. 90~95
- Low starting temp -250C
- Color temperature — 4700K (other K values optional)
- Various optics available

Powered by™ CREE

Specifications



Quick mount
Hardware included

Integrated "ONE PIECE"
Heat Sink for faster and
better cooling

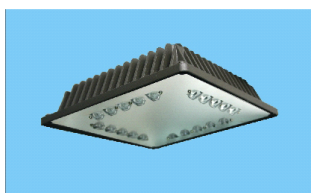
Stainless hardware

High reflectance
aluminum reflector

Impact resistance
polycarbonate sandblasted
diffuser for optimal light distribution

Contractor friendly
"EASY MOUNT" solution

Mount Options

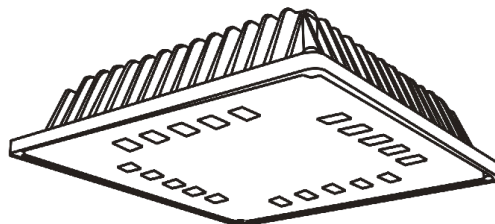
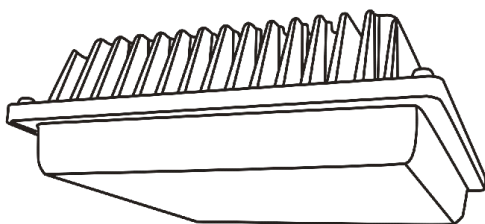


Ceiling Mount

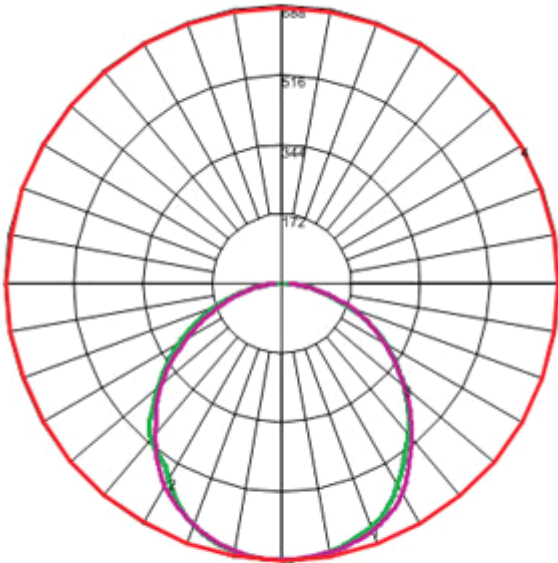


Pendant Mount

Line Drawing



Specification



Maximum Candela = 688.49 Located At Horizontal Angle = 330, Vertical Angle = 3.5
1 - Vertical Plane Through Horizontal Angles (0 - 180)
2 - Vertical Plane Through Horizontal Angles (180 - 0)
3 - Vertical Plane Through Horizontal Angles (45 - 225)
4 - Horizontal Cone Through Vertical Angle (3.5) (Through Max. Cd.)

Installation&Application:

Perfect for:

Strip-malls, Entry way, Garages, Plaza

